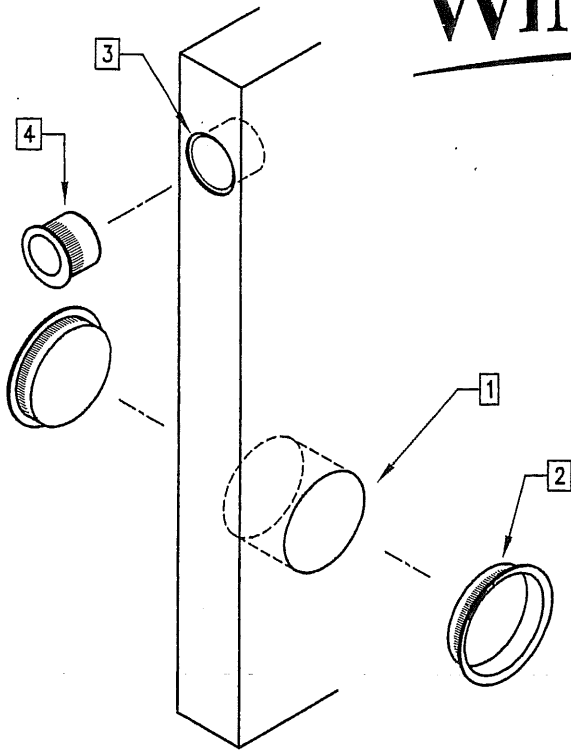


WINDSOR



FITTING INSTRUCTIONS

CAUTION – Due to the press fit nature of this hardware, care should be taken when marking door for mortices. Please recheck all detail prior to drilling.

1. To install flush pulls, mark and drill holes at required height. Drill from both sides of door for neat cut outs. Hole size is 48mm diameter.
2. Clear holes of any waste and evenly press fit flush pulls to each side of door
3. If using door edge pull, mark position on door at required height. Mark drill bit to give depth of 25mm and drill in one movement for a neat fit. Hole diameter 25mm.
4. Clear hole of any waste and press edge pull evenly into hole. Note – edge pull has a larger inside lip to bottom. For superior fixing of ring pull, use a construction adhesive when fitting.

Code:8107

Copyright Windsor Brass Ltd 2005