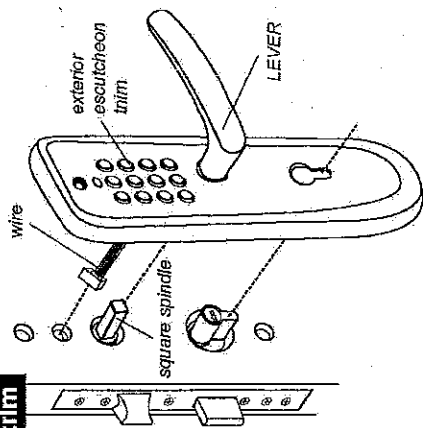


J. Install exterior escutcheon trim

Place exterior escutcheon trim into the LOCKCASE as shown. Press tight against door face.

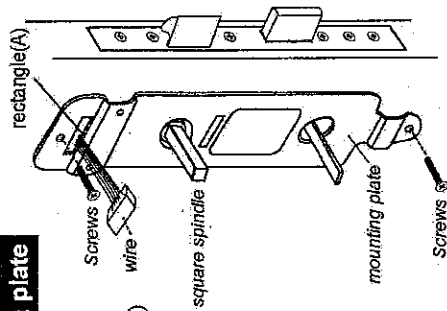
1. Both insert the square spindle into the hole of LOCKCASE and into the hole of LEVER.
2. Insert the wire through the hole of door.



K. Install mounting plate

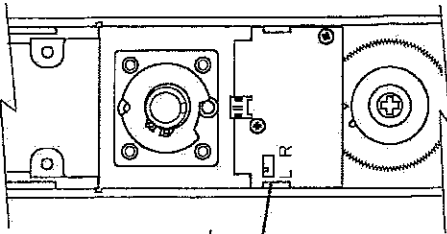
1. On interior side of door, place mounting plate, and plate and route the wire through rectangle(A) on mounting plate.
2. Secure and fasten mounting plate with 2 screws.

IMPORTANT:
Ensure the mounting plate is positioned vertically.



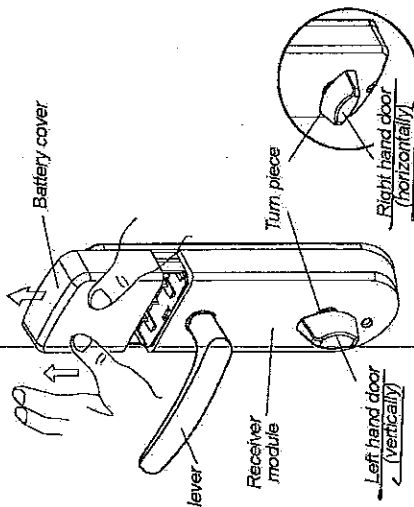
L. Adjusting interior module

If you have a right-handed door, move the entry switch to "R" by pen. If you have a left-handed door, move the entry switch to "L" by pen.



M. Installation of interior module

1. Remove the battery cover from the receiver module by sliding the cover upward
2. Rotate the interior turnpiece to the vertical position for a left hand door or the horizontal position for a right hand door.



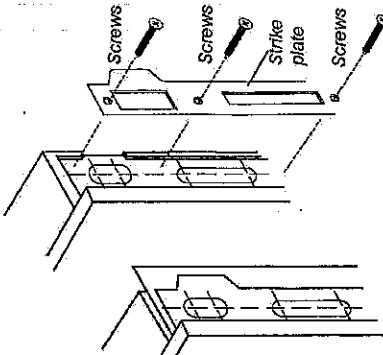
3. Position receiver module over mounting plate, both fit the interior turn piece into tailpiece and the square spindle into the hole of lever.
4. Check operation of the lockcase manually turning the turn piece or using the key. Dead bolt should extend and retract freely. If square can not be moved freely, the direction of turn piece is in the wrong place. Move receiver module and turn the turn piece to the opposite direction. Install again and check the operation of deadbolt.
5. Connect exterior wire connector to interior wire connector.
6. Secure the receiver module to mounting plate with 3 screws.

IMPORTANT:

1. Be careful about the wire.
Do not block the screw holes at the time of mounting the screws.
2. Lock should be straight on door before tightening screws.
7. Install (4) AA alkaline batteries and fit battery cover.

N. Install strike plate

1. Align strike template on jamb. Be sure to match centerline on both strike and Lockcase template.
2. Drill 19mm(3/8") diameter up-hole into door edge, 14mm(1/2") deep by 38mm(1-1/2") high.
3. Drill 15mm(19/32") diameter down-hole into door edge, 22mm(7/8") deep by 60mm(2-13/32") deep
4. Chisel 25.4mm(1") diameter X 1.5mm(1/16") deep X 200mm(8") high recess for strike until strike face flush with door edge.
5. Install strike plate with 3 screws.



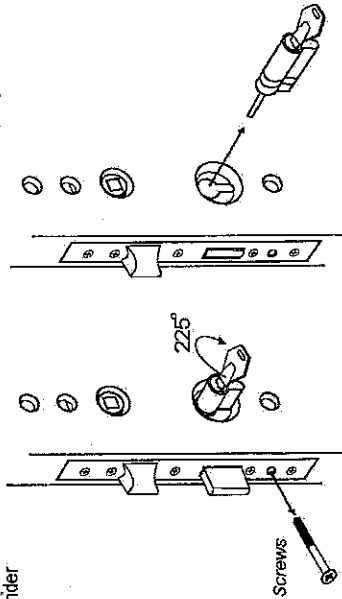
O. Replace cylinder

→ right-handed door:

1. Remove the inside receiver module, and then take off screw.
2. Insert key into cylinder and turn right about 225 degrees and then PULL out the cylinder.
3. Insert the new cylinder

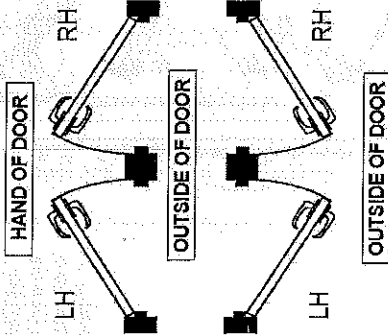
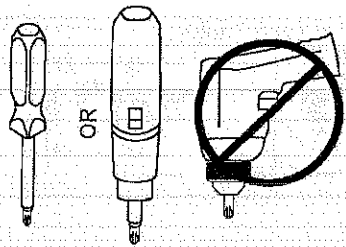
→ left-handed door:

1. Remove the inside receiver module, and then take off screw.
2. Insert key into cylinder and turn left about 225 degrees and then PULL out the cylinder.
3. Insert the new cylinder



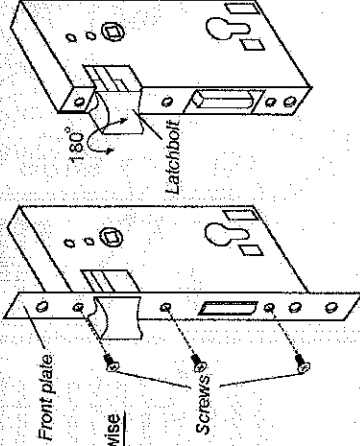
A. Latch bolt is reversible for LEFT OR RIGHT HAND door.

Check whether your door is right or left handed by standing outside and checking which side of the door the hinges are on. If the hinges are on the left side, the door is left handed, if the hinges are on the right side, the door is right handed.



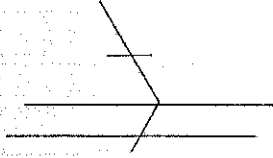
B. Follow the procedure to change the latchbolt direction

1. Turn loose the front plate screws remove the front plate.
2. Turn the latchbolt 180° clockwise or counterclockwise to change direction.
3. After adjusting the latchbolt in the requested direction (RIGHT OR LEFT), Please put back the front plate and tighten plate screws.



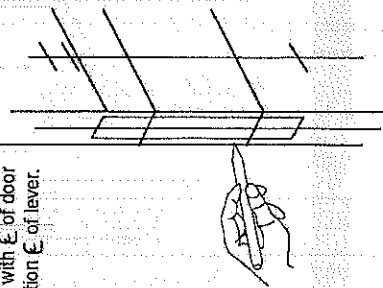
C. Mark horizontal lines on door and door edge.

Measure desired height from finished floor, both sides and edge of door.



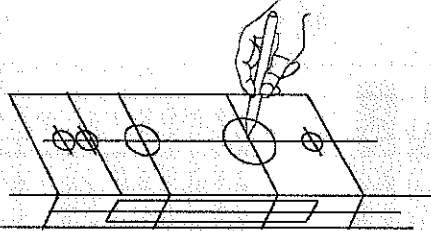
D. Mortise door edge 23/32" drill 3-1/2" deep by 7-1/8" high.

Align template with E of door edge and location F of lever.



E. Mark drill points

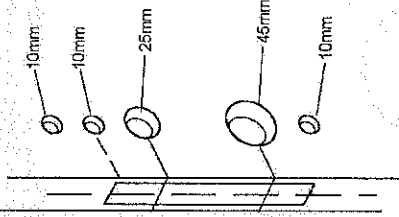
Align template or edge of door with applicable horizontal at height line. Mark for position of holes for lock function.



F. Drill holes

1. Drill 38mm (1-1/2") hole for cylinder from both sides of door.
2. Drill 25mm (1") hole for lever from both sides of door.
3. Drill 10mm (3/8") hole for wire from both sides of door.
4. Drill 2x10mm (3/8") hole for screws from both sides of door.

★NOTE : To avoid splitting drill holes from both sides.



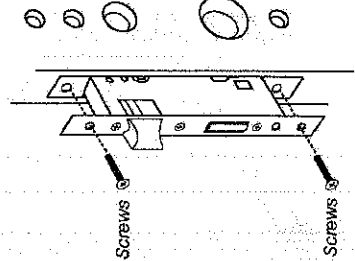
G. Chisel a recess for LOCKCASE

Chisel 124mm X 243mm X 3.5mm (30/32" X 9-1/8" X 3/16") recess for Lock CASE until latch face is flush with door edge.



H. Install LOCKCASE

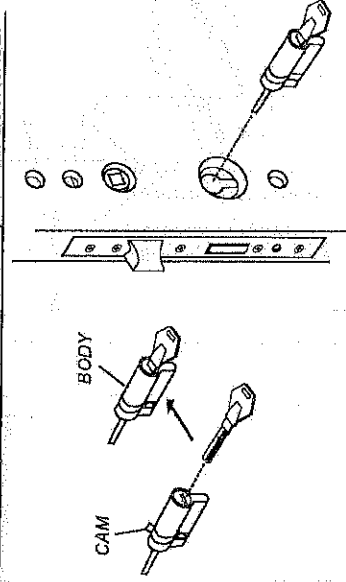
Insert LOCKCASE into mortise cut-out and fasten to door. Be aware of handing in case of up side down.



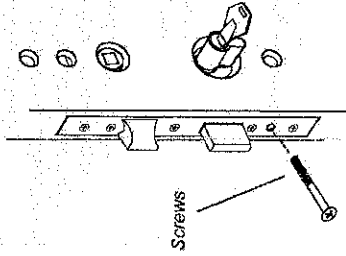
I. Install Cylinder

Insert cylinder into lockcase as show steps.

1. Insert the key into cylinder, and then turn the CAM to align with the BODY of cylinder, and then insert the cylinder into LOCKCASE.



2. Use the screw to fasten the cylinder



3. Remove the key from cylinder

