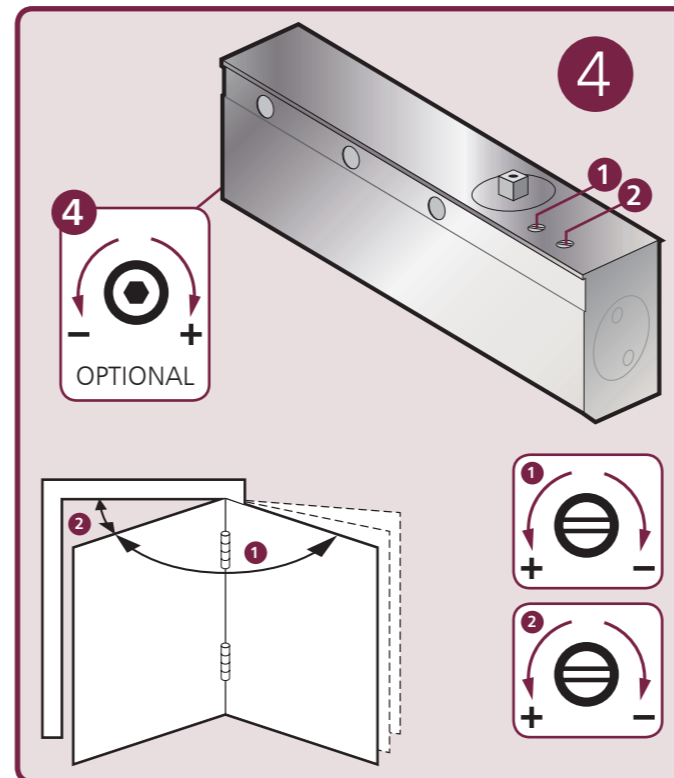
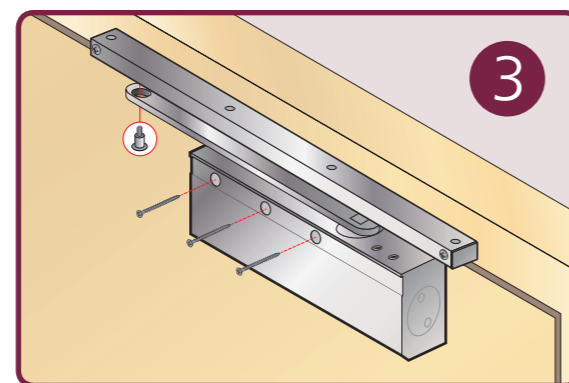
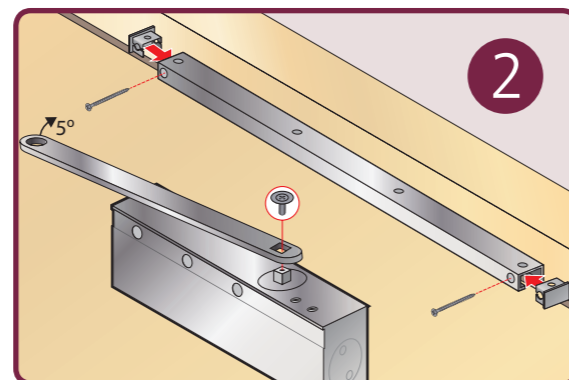
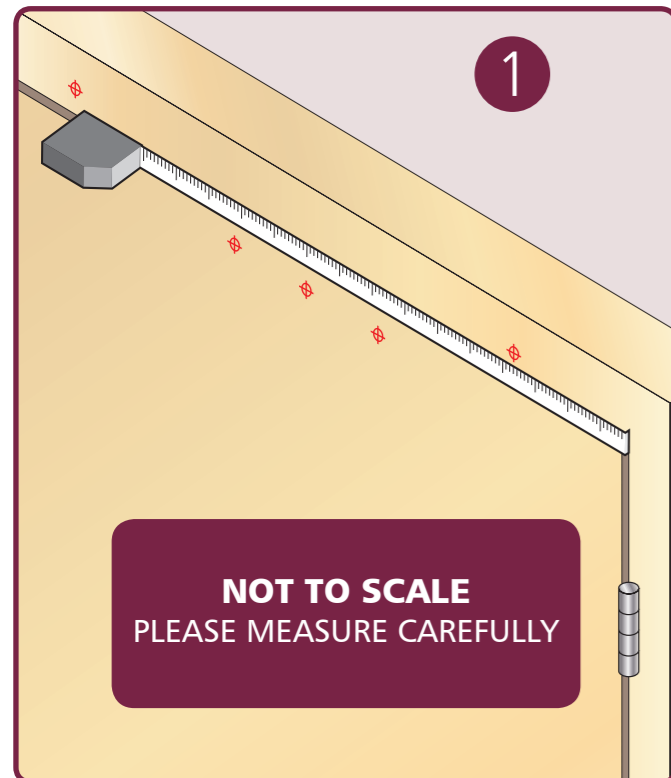
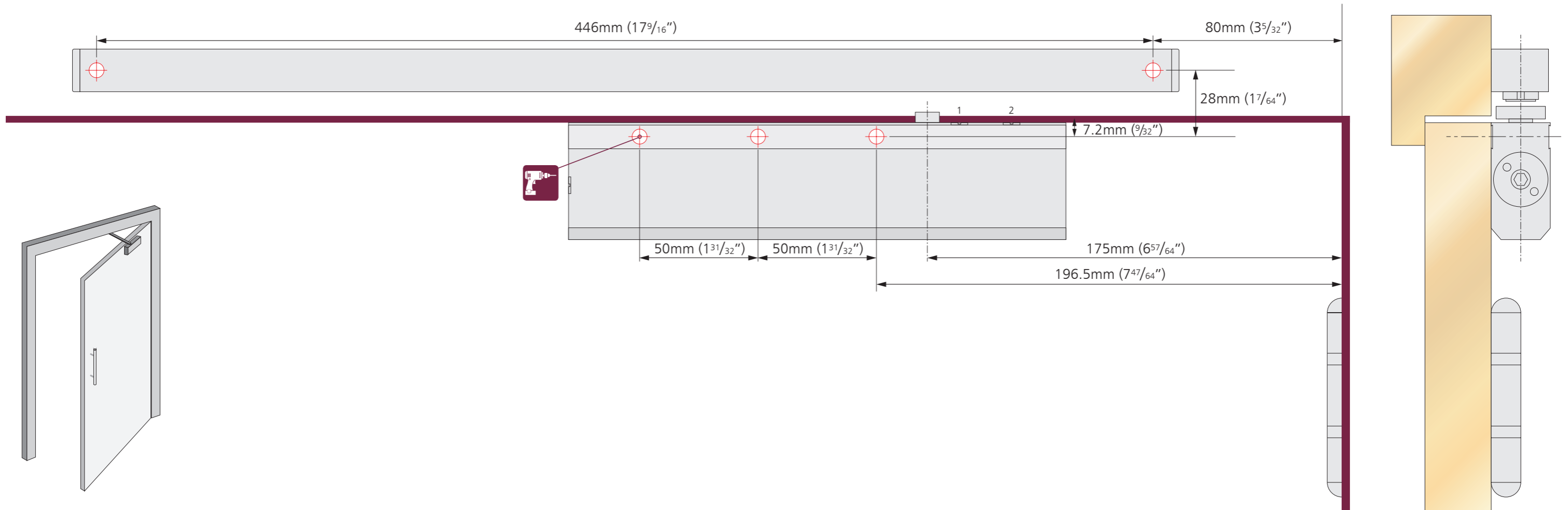


# WINDSOR

Use with door closer #724



### EN 2-4 Power Adjustment

4				
No. of turns	EN Size	Max. door width	Max. opening angle	Max weight
-4	2	850mm	110°	45
*0	3	950mm	110°	60
+6	4	1100mm	110°	80

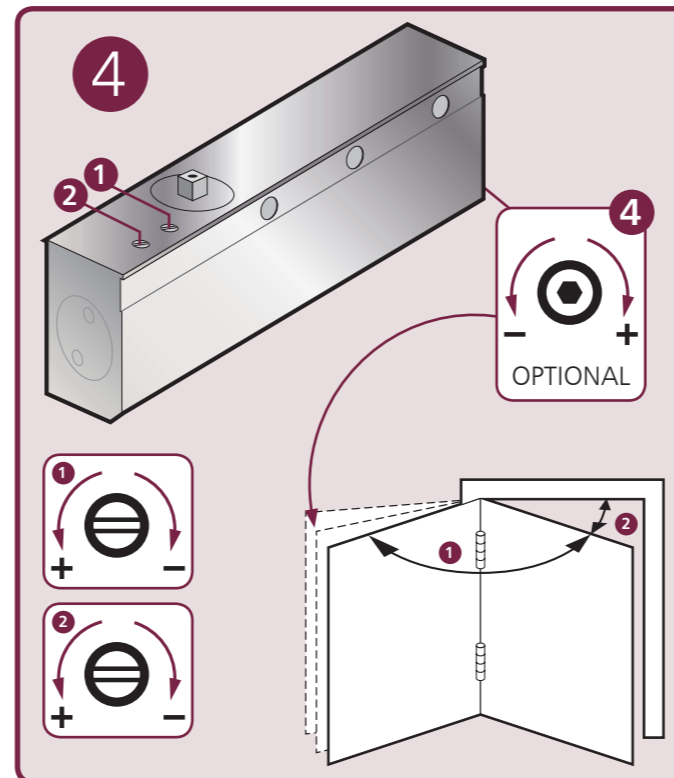
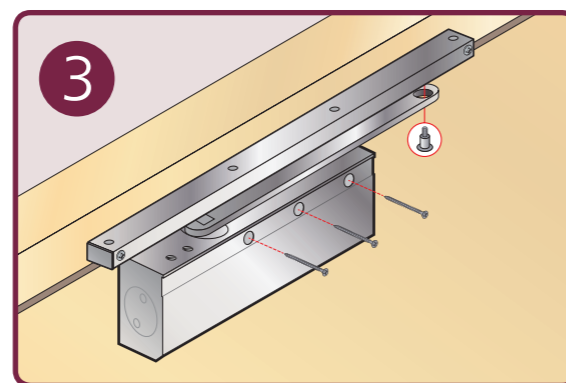
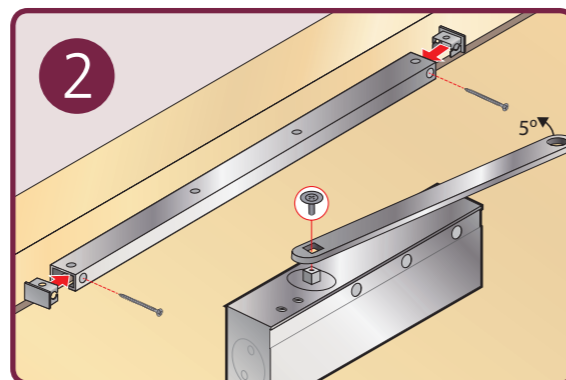
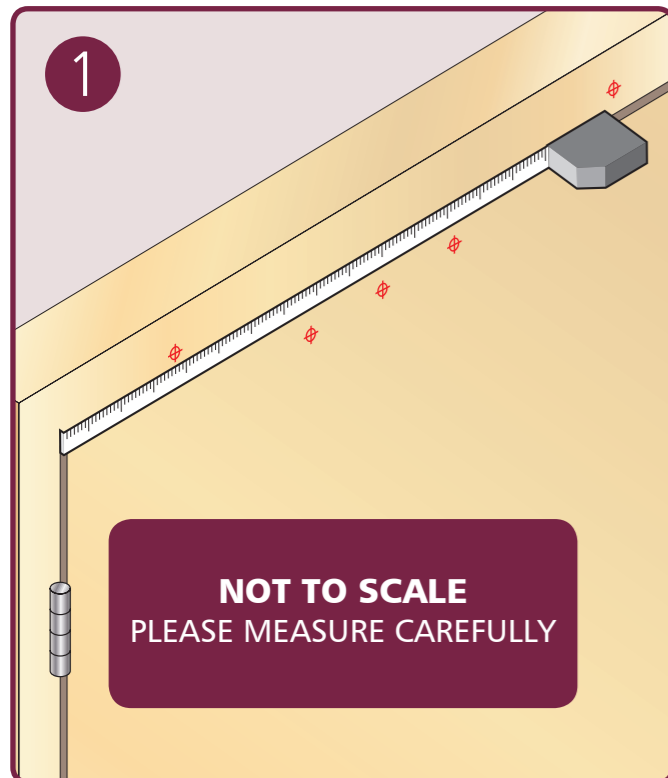
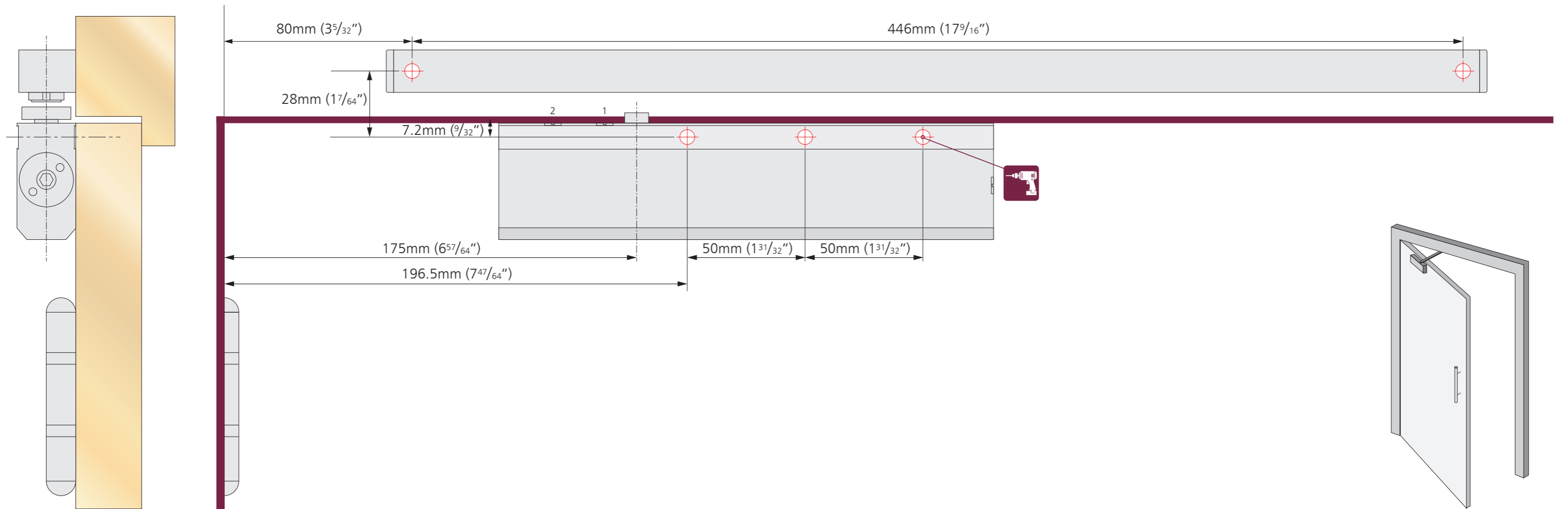
\* FACTORY PRE-SET

The Pinion Bolt must be tightened to 12NM.

© No part of this instruction can be copied or stored in any way or form manually or electronically without the full permission of Windsor Brass.

# WINDSOR

Use with door closer #724



### EN 2-4 Power Adjustment

4				
No. of turns	EN Size	Max. door width	Max. opening angle	Max weight
-4	2 <sup>n</sup>	850mm	110°	45
*0	3	950mm	110°	60
+6	4	1100mm	110°	80

\* FACTORY PRE-SET  
<sup>n</sup> EN2 NOT SUITABLE FOR FIRE DOORS

The Pinion Bolt must be tightened to 12NM.

© No part of this instruction can be copied or stored in any way or form manually or electronically without the full permission of Windsor Brass.