

FUTURA DOOR FURNITURE FITTING INSTRUCTIONS

Fitting Instructions for Codes: 9018, 9019, 9022, 9023, 9026, 9027, 9030, 9031

Through Screws included to suit door thicknesses 32-45mm.

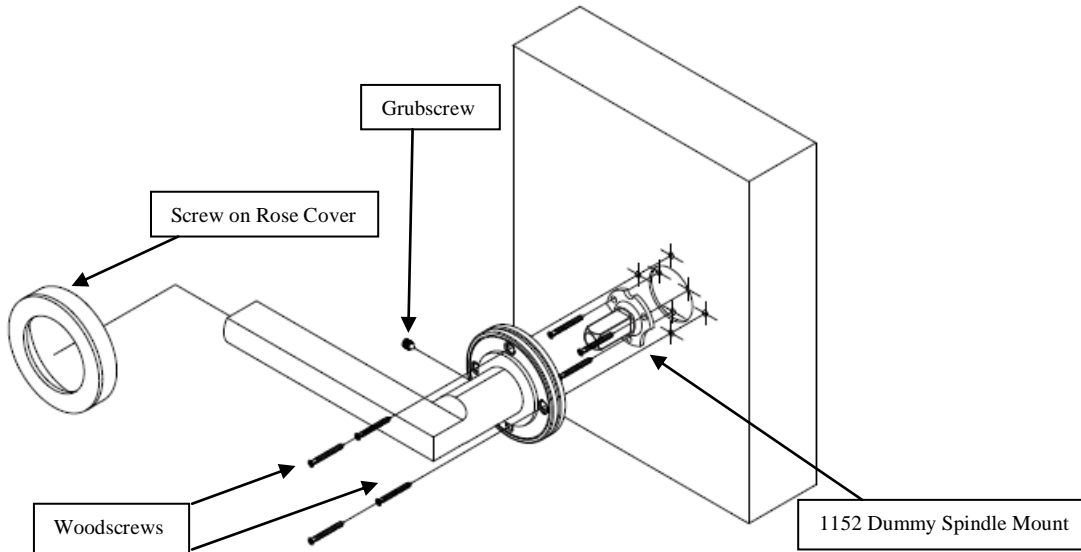
These handles are designed to be fixed to door with through bolts provided. We recommend using a *Windsor Futura 60mm tubular latch* (included in the passage sets) which is designed to accept the fixings and comes with an adjustable strike plate.

Latch

1. Measure the door thickness and mark the centre at desired height for latch.
2. Mark the face of door each side for drilling of spindle and screw holes.
3. Drill a 25mm (1") hole through door edge to a depth of at least 80mm.
Note: It is very important to drill this hole square to door.
4. Drill a 25mm (1") spindle hole through door face.
Note: The spindle hole will need to be centred at 60mm from the door edge (backset)
Note: For clean cut-outs, drill from both sides, meeting in the middle of door.
5. Drill 6.0mm holes for through bolts at 12 o'clock and 6 o'clock vertical positions as indicated in diagram above.
6. Remove any loose sawdust and insert latch. Scribe around face, remove, then chisel out recess to enable latch to sit flush with door edge.
7. Insert latch and fasten with screws supplied.
Gently close door against frame and mark latch position for fitting of strike plate. Router or chisel so plate fits flush, allowing for plastic recess box if required.

Handles

1. With latch fitted to door, ensure all holes line up prior to fitting door handles.
2. Unscrew rose covers from levers.
3. Unthread screws from threaded sleeves. Insert threaded sleeve into oval holes in back of rose at the two vertical positions. Screw short bolts through from top of rose and tighten into threaded sleeve as indicated in above diagram.
4. Insert spindle into latch so an even amount protrudes each side of door.
Note: Grooved side of spindle must be aligned with grub screws on levers.
5. Insert handle from 'step 3' over spindle and press against door.
6. Insert long thru-screws through face of second handle at two vertical positions and slide over spindle on opposite side of door. Tighten long bolts through and into the threaded sleeves securely.
7. In the horizontal hole on the mounting plate, secure a wood screw each side for further strength then screw on covers for a concealed fix. Refer to diagram above for this step if needed.
8. Tighten the grub screw on side of levers onto spindle each side of door.
Note: The grub screws may need a re-tighten after a bedding-in period. We recommend Medium Strength Thread-lock to be used, Windsor Code: 1276.
9. Test door and if necessary, adjust strike tongue to take up any rattle.



DUMMY FIXING MOUNT – FUTURA DOOR FURNITURE Code 1152 – 8mm Spindle

Windsor 1152 8mm dummy fix mounts are designed to be recessed and screwed onto the door face, with the handle slipping over the top. The handle base plate is then screwed to, or bolted through the door.

Note: *It is important to ensure solid fixing is available for handle and dummy mount screws (especially on hollow core doors).*

Fitting Instructions:

1. Test dummy spindle in handle to ensure it fits.
2. Establish height and position for handle on door.
3. Drill a 32mm diameter recess on the face of door to a depth of 4mm at 60mm backset from door edge.
4. Fit the dummy spindle by drilling and fitting three woodscrews.
Note: *Grooved side of spindle must be aligned with grubscrews on levers.*
5. Install the handle onto the spindle ensuring that it sits squarely on the door face.
6. Attach the handle by screwing the base plate to the door. In some cases where through door bolts are provided, the door can be drilled both sides to accept the through screws.
7. Screw on conceal fix rose to base plate.
8. Tighten the grubscrew onto dummy spindle.
Note: *The grubscrew may need a re-tighten after bedding-in period. We recommend Medium Strength Thread-lock to be used, Windsor Code: 1276.*

Note: No warranty on Futura levers, when used as dummies, if 1152 Taylor Spindle is not fitted.

Back to Back Dummy Fixing Mount: Code 1152 – 8 mm Dummy Spindle

Refer to instructions over page when fitting Dummy Levers back to back (using thru-fixing screws).

Note: *Take extra care when working through step 2 of the instructions above when establishing the height & position of handles on the door, be sure to mark out both sides of the door the same to ensure the handles are even on both sides.*