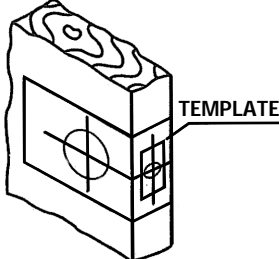
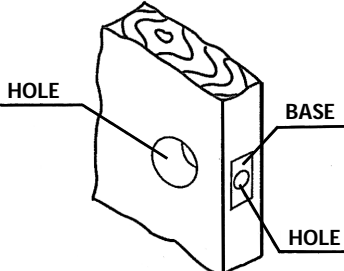
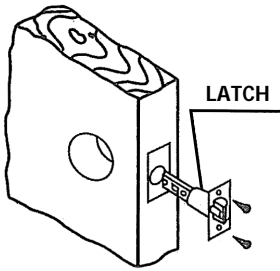
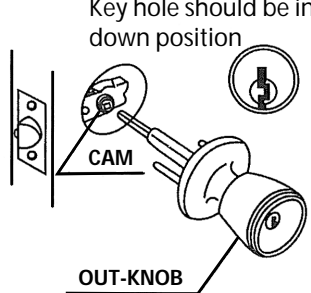
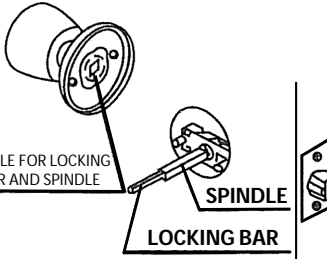
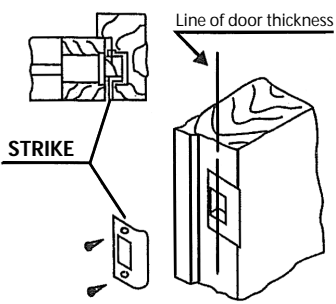
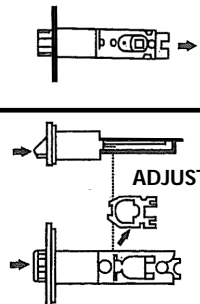
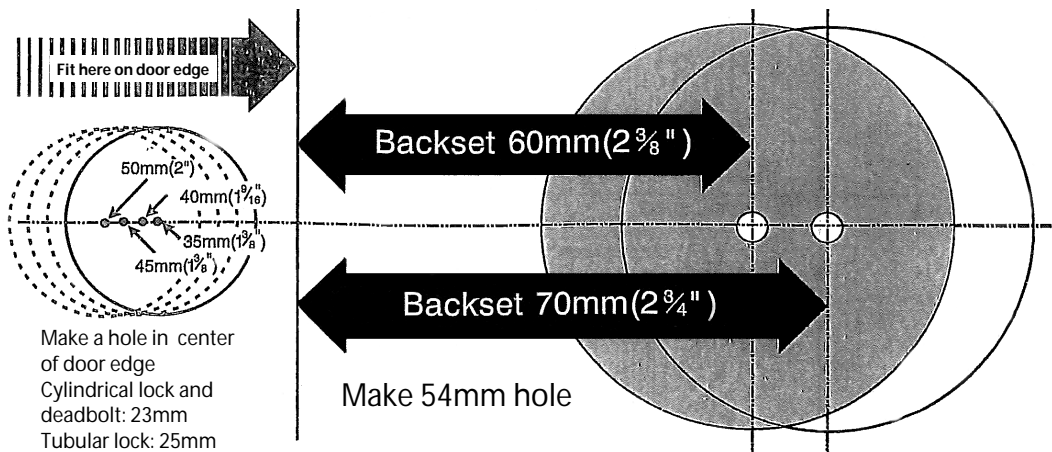


FITTING INSTRUCTIONS FOR INSTALLATION OF WINDSOR JURA DOOR FURNITURE ONLY

HOW TO INSTALL THIS TUBULAR LOCK

1. MARK DOOR	2. BORE HOLES	3. INSTALL LATCH	4. INSTALL OUT-KNOB
 <p>Mark site of lock and bore.</p>	 <p>Bore the holes through door Cut out base</p>		 <p>Key hole should be in down position</p>
5. INSTALL IN-KNOB	6. INSTALL STRIKE	INSTRUCTION FOR ADJUSTABLE LATCH	
		 <p>The cam is pushed fully to the right for 70mm (2¾") backset. (During the adjustment, keep two teeth of the cam to forward always.)</p> <p>Push the latch inward, take off the adjust part for 70mm (2¾") backset.</p>	

PAPER MARKER



THIS TEMPLATE MAY SHRINK OR STRETCH.

CHECK DIMENSIONS SHOWN ON THIS SHEET