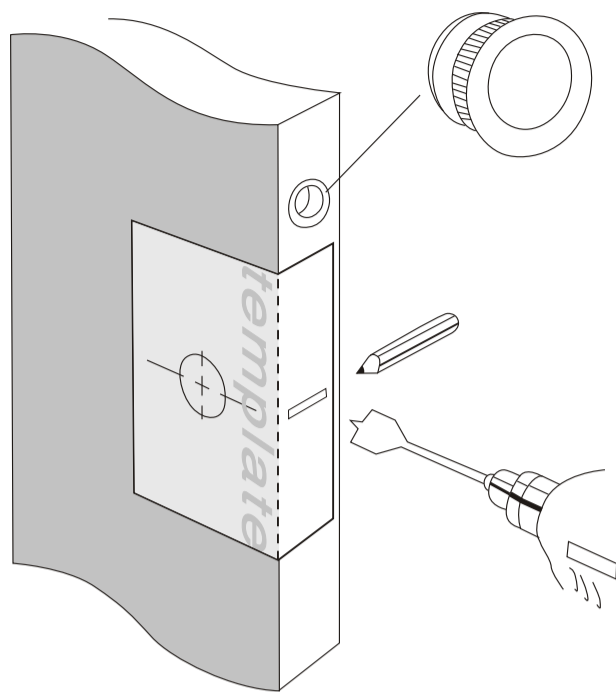


# WINDSOR Installation Instructions Cavity Sliding Flushpull Kit Double Turn

www.windsorbrass.co.nz

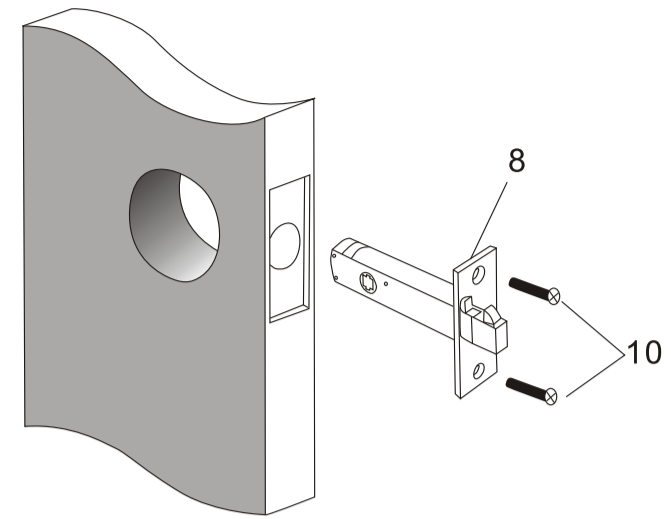
## Step 1. Door Preparation

- Fold template where indicated.
- Position template on door edge at desired latch height.
- Firmly hold template and mark latch height and escutcheon hole centre at required backset. (refer template).
- Measure door thickness and mark centre.
- Drill 25mm (1") latch hole.
- **Note:** it is important to drill this hole squarely.
- At required backset drill pilot hole – suggested size 3mm (1/8").
- Enlarge hole to 54mm (2 1/8") as required, drilling from both sides of the door.

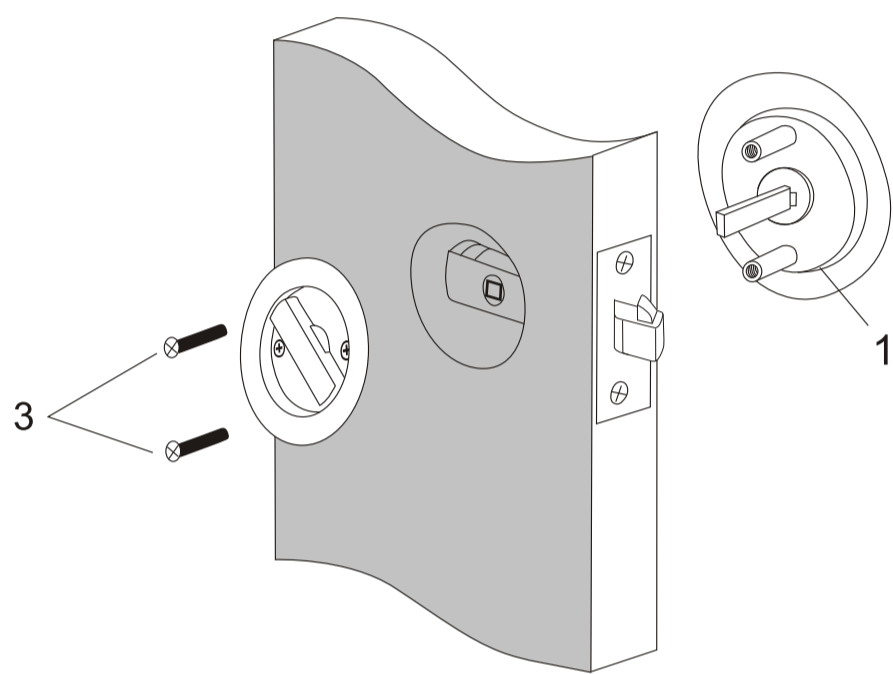


## Step 2. Latch Installation

- Mark and chisel latch faceplate (8) to a recess of 4mm. Use latch faceplate as a template.
- Insert latch into door.
- Fasten with two screws (10) provided.



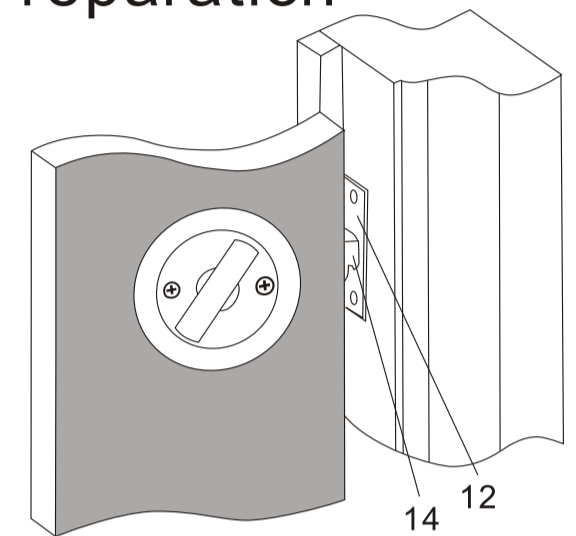
## Step 3. Assembly of Escutcheons



- Assemble the external escutcheon with posts for screws to the door(1).
- Assemble the internal escutcheon with screw holes to the door.
- Fasten escutcheons with screws provided(7).
- Check the latch moves freely – readjust escutcheons if required.

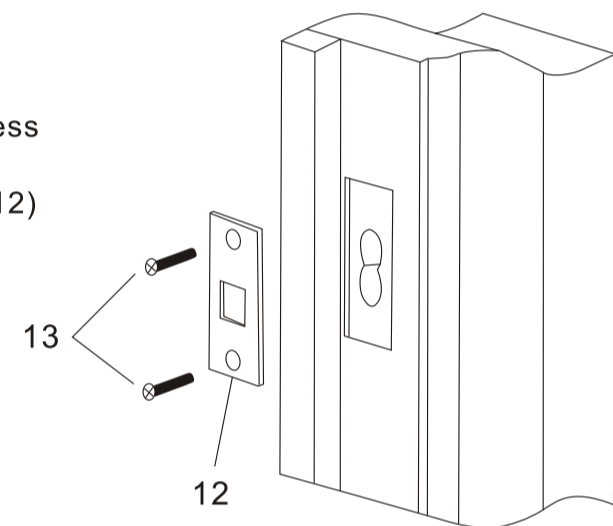
## Step 4. Door Jamb Preparation

- Place the strike plate (12) on end of extended latch (14) and close door so the strike plate touches the jamb.
- Keeping the strike plate aperture evenly spaced around the latch, use the strike plate as a template to mark a cut-out on the jamb.
- Chisel the strike plate recess to a depth of 1.6mm.



## Step 5. Strike Plate Installation

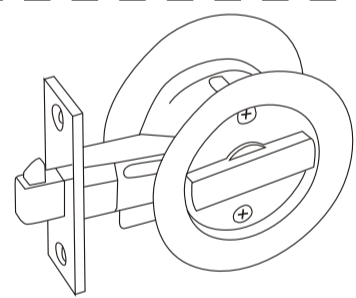
- Using the template provided, drill two 19mm (3/4") diameter holes 15mm (5/8") deep to recess the latchbolt.
- Fit and fasten the strike plate (12) with screws provided (13).



## PROBLEMS AFTER FITTING

- A: If the latch won't enter the strike plate, reposition strike plate on jamb.
- B: If the door gap is too big, recess the strike plate deeper into the jamb.

**NOTE:** Carefully follow these instructions when installing. Do not overtighten screws. Use of power drill is not recommended.

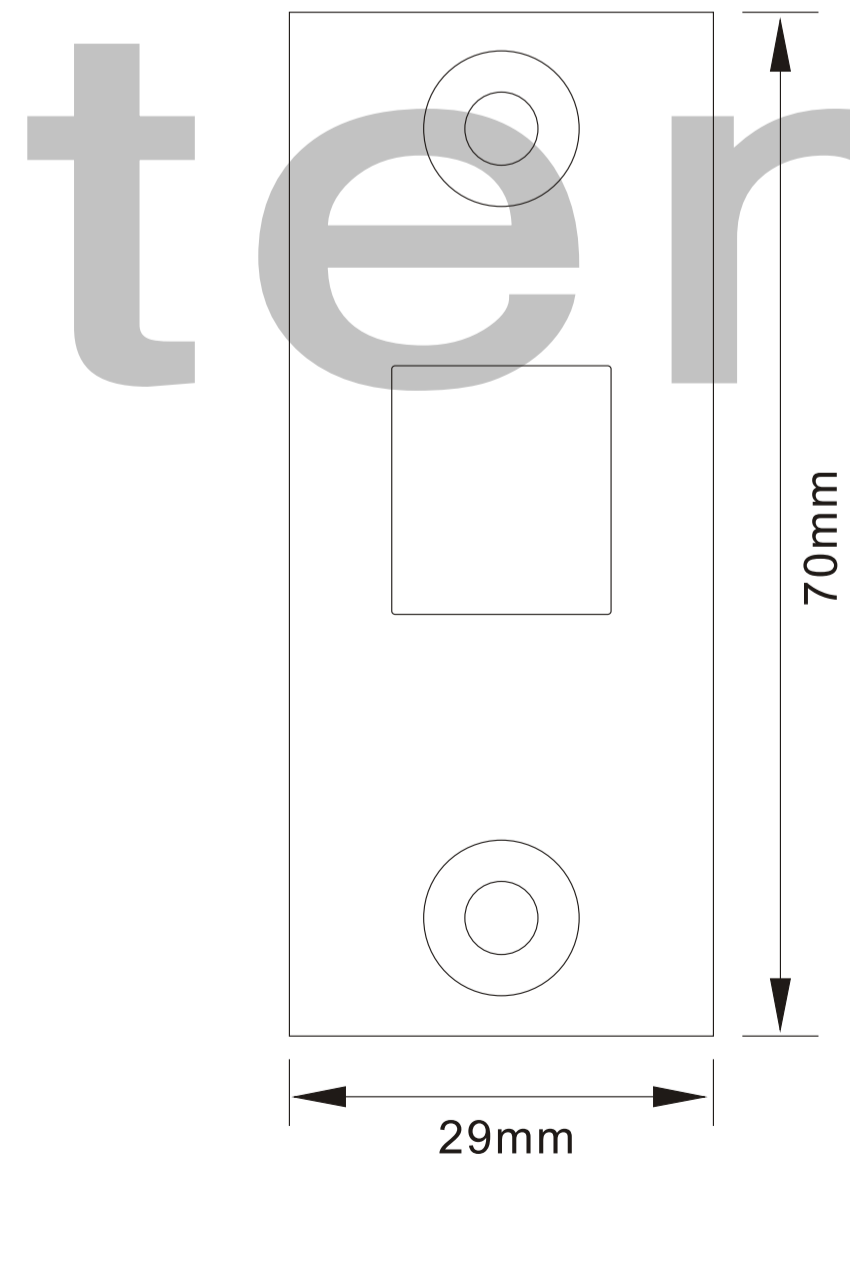


Mark centre-line of latch hole  
Mark centre-line of latch hole

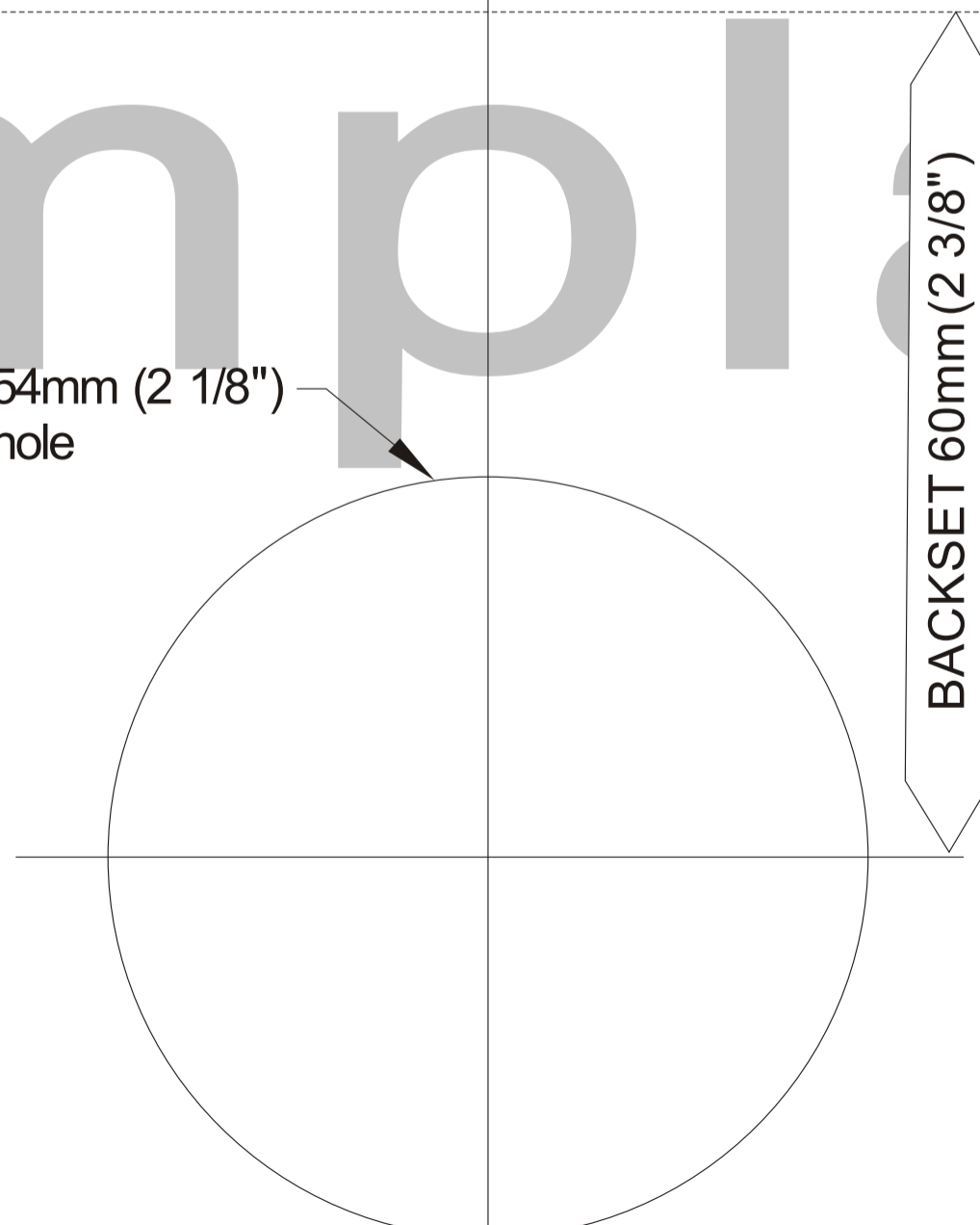
Installation template for Sliding Cavity Door Lock

Strike Plate Recess in Door Jamb

FOLD HERE



54mm (2 1/8") hole



BACKSET 60mm (2 3/8")

Fit here on door edge

Note: ridge on metal part that locates in groove in plastic part

